



Ultrasonic cleaning
according to the latest laws.

Elmasonic Med*



Areas of use

Elmasonic Med is the series of efficient ultrasonic cleaning devices associated with the reliable pre-cleaning of medical, dental and surgical instruments and implants. With an ultrasonic frequency of 37 kHz it is possible to remove even the stubbornest of contamination.**

Suitable for various applications, Elmasonic Med cleaning devices have tank volumens from 3 to 90 litres (only Med 30 without drain). The application-specific cleaning chemistry developed by Elma together with practical accessories like baskets, tray holders, etc. ensure the best cleaning results.

****Elmasonic Med does on principle NOT replace preparation in the cleaning and disinfection device.**

Developed for

Medical centres • Hospitals • Dental practices
• Central sterile supply departments • Dental laboratories • Tattoo and piercing studios • Foot care salons



Cleans

Surgical, medical or dental instruments • Protheses and implants • Instruments from the fields of podiatry, tattooing and piercing



Removes

Blood, tissue and bone residues • Fats • Secretions • Dentinal debris • Tartar • Basale deposits • Alginates and plasters • Grinding and polishing pastes • Waxes • Flux • Cements • Callus and skin residues • Other contaminations



Clean



MDR compliant

Elmasonic Med devices are registered as Class I medical products in line with the MDR directive (EU) 2017/745.



Clean design

Stainless steel surfaces are easy to clean; display and membrane keyboard can be wiped clean. The modern design is impressive.

Intelligent



5 individual ultrasonic modes

degas: Quick degassing
 eco: Quiet, energy efficient, long device service life
 sweep: More consistent ultrasonic cleaning
 pulse: For the stubbornest of contamination
 dynamic: Automatic change between pulse and sweep for even better cleaning outcomes



Save own programmes

Four individual cleaning programmes can be saved in the menu and activated via quick selection - for reliable processes and reproducible cleaning results.

Easy



Intuitive and user-focused

The clear and easily legible display allows straightforward and precise setting of the cleaning parameters.



Feedback from the device

The user is kept constantly up to date with the operating state thanks to displays and warning messages e.g. at the end of cleaning or on reaching the limit temperature.

Safe



Smart technology

The limit temperature can be set individually. This helps to prevent the denaturation of protein. Valuable instruments are protected and perfectly cleaned.



User protection

The plastic cover ensures a quieter working environment as a result of reduced operating noise. It also serves as a practical drip tray for basket and parts following cleaning.



Elma Schmidbauer GmbH
Gottlieb-Daimler-Str. 17
78224 Singen (Germany)
www.elma-ultrasonic.com

Subject to technical and optical changes.
Elmasonic Med_EN_07_20

*Medical Product Class 1 according to MDR
(EU) 2017/745. Please observe the laws and
legal regulations applicable in your country.

Product Information and Prices



Elmasonic Med*

Product features and functions

■ 37 kHz ultrasonic frequency (control range -2,5/+5,5 kHz)
■ 5 ultrasonic modes for need-based sound field distribution in the ultrasonic bath
■ eco-mode: Gentle cleaning with quieter operation by running the sweep-mode at a slightly lower intensity
■ sweep-mode: Even cleaning through even sound field distribution in the ultrasonic bath
■ pulse-mode: Removal of even stubborn contamination through pulsating sound field distribution
■ dynamic-mode: Combination of the ultrasonic modes sweep and pulse in order to increase the cleaning performance
■ degas-mode: Quick degassing of the cleaning liquid and for special applications in the laboratory
■ 4 memory locations for cleaning programs, available via quick selection
■ Autostart function for temperature-controlled start of cleaning
■ Adjustable limit temperature from 40-60 °C (can be switched to °F)
■ Digital control unit with wipeable membrane keyboard and easy-to-read display for displaying all operating states
■ Optical and acoustic feedback, e.g. at the end of cleaning or when the limit temperature is reached
■ Pre-selection of cleaning time: cleaning time adjustable between 1 minute and 6 hours
■ Electronic temperature control adjustable in steps of 5 °C from 25-80 °C (can be switched to °F; temperature tolerance -5/+8 °C)
■ Setup menu for individual adjustment of the device functions
■ Dry run protection (except for Elmasonic Med 500 / 900)
■ Automatic safety shutdown after 8 hours
■ Splash-proof case and cleaning tank made of stainless steel
■ Shut-off valve on the side for emptying the cleaning tank via the outlet on the rear of the device (only for Elmasonic Med 60 - 300)
■ Shut-off valve and outlet on the side of the device for emptying the cleaning tank (only for Elmasonic Med 500 / 900)
■ 2-year warranty from the initial operation, but no longer than 3 years from the production date

Technical specifications serve as orientation values and are subject to tolerances due to production and manufacturing. Proper operation can only be guaranteed when using original Elma accessories.

Product Information and Prices



Elmasonic Med*

Technical Data - Mechanics

Elmasonic Med	30	60	100	120	180	200	300	500	900
Total capacity V (l)	2,7	5,9	9,5	12,9	17,8	22,7	27,5	49,7	89
Recom. operating capacity V _a (l)	1,6	4,3	6,8	10,0	14,2	13,0/18,0	22,0	40,3	63,7
Unit ext. dimensions W/D/H (mm)	305/170/230	370/210/275	380/300/280	380/300/330	405/360/330	600/385/280	575/360/330	770/425/505	870/595/505
Unit ext. dimensions with open sound protection cover W/D ₂ /H ₂ (mm)								770/510/975	870/640/1145
Opening dimensions W ₃ /D ₃ (mm)	235/135	295/145	295/235	275/235	325/295	505/300	500/395		
Tank int. dimensions W ₁ /D ₁ /H ₁ (mm)	220/120/95	275/125/145	280/220/145	300/215/195	300/270/195	505/300/150	475/270/195	500/330/290	600/500/285
Weight incl. cover (kg)	3,6	5,2	6,2	7,7	10,2	12,2	12,2	30,4	43,4
Weight incl. sound protection cover (kg)								34,7	49,3
Drain hose - ID (mm)								12,0	19,0
Basket int. dimensions W ₄ /D ₄ /H ₄ (mm)	195/105/50	255/115/75	255/200/70	250/190/110	280/250/115	490/255/95	455/250/110	460/300/195	545/460/190
Total basket loading (kg)	1,0	5,0	6,0	7,0	8,0	4,0	10,0	20,0	30,0

Technical specifications serve as orientation values and are subject to tolerances due to production and manufacturing. Proper operation can only be guaranteed when using original Elma accessories.

Product Information and Prices



Elmasonic Med*

Technical Data - Electronics and noise levels

Elmasonic Med	30	60	100	120	180	200	300	500	900
Mains voltage (V~)	220-240								
Mains frequency (Hz)	50/60								
Power consumption total (W)	320	550	550	1000	1000	1100	1500	2140	2960
Ultrasonic power effective $\pm 10\%$ (W)	120	150	150	200	200	300	300	540	960
Ultrasonic peak power max.** (W)	480	600	600	800	800	1200	1200	2160	3840
Heating power (W)	200	400	400	800	800	800	1200	1600	2000
Temperature (°C)	25-80								
Protection class	IP 20								
Sound pressure level (LpAU)***	<80 dB								
Ultrasonic sound level (LpZ)***	<110 dB								

** The signal form of the wave results in a factor 4 for the ultrasonic peak max., depending on the modulation of the wave.
 *** Measured sound pressure level with basket and cover at 1 m distance.

Technical specifications serve as orientation values and are subject to tolerances due to production and manufacturing. Proper operation can only be guaranteed when using original Elma accessories.

Product Information and Prices

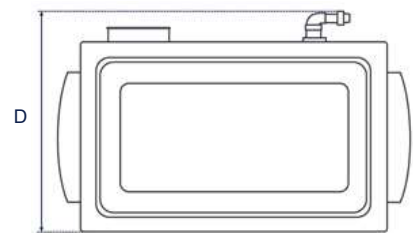
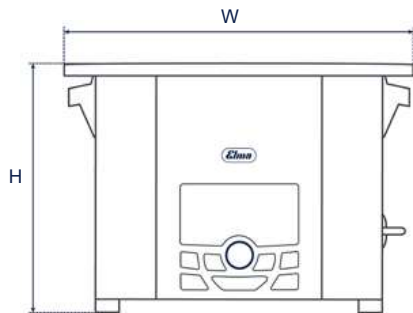


Elmasonic Med*

Dimension definition

Unit outer dimensions

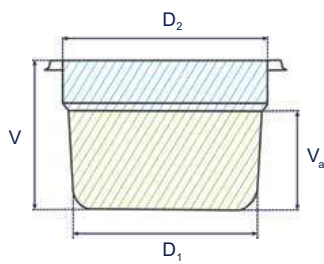
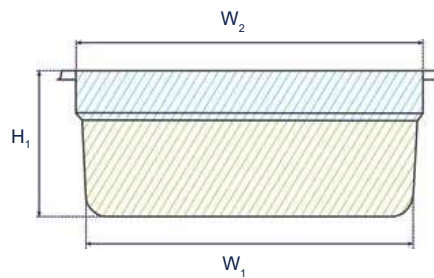
Elmasonic Med 30 - 300



Tank internal dimensions

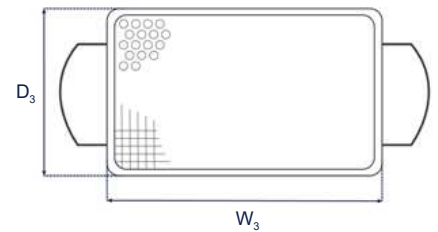
Elmasonic Med 30 - 300

V_a : recommended operating capacity of the cleaning tank
(The actual operating capacity depends on the load.)



Basket internal dimensions

Elmasonic Med 30 - 900



The drawings are merely included as a visualization aid and are not true to scale.

Technical specifications serve as orientation values and are subject to tolerances due to production and manufacturing. Proper operation can only be guaranteed when using original Elma accessories.

Elma Schmidbauer GmbH · Gottlieb-Daimler-Str. 17 · 78224 Singen (Germany) · Tel. +49 7731 882-0 · Fax +49 7731 882-266 · www.elma-ultrasonic.com

Product Information and Prices

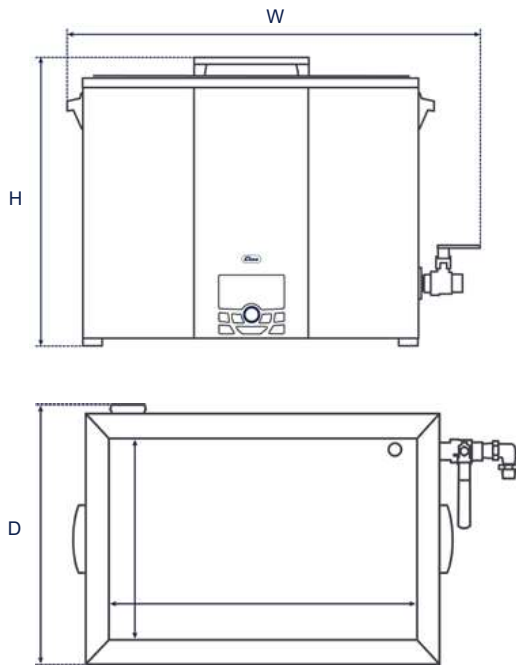


Elmasonic Med*

Dimension definition

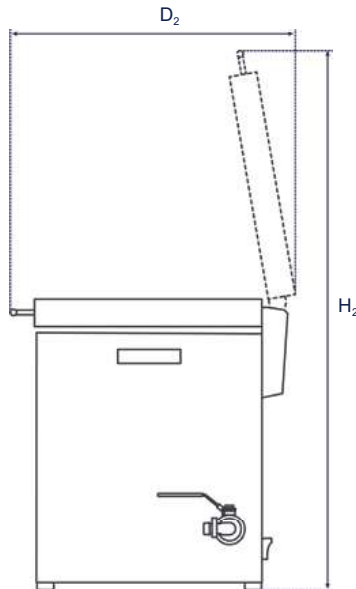
Unit outer dimensions

Elmasonic Med 500 / 900



Unit outer dimensions

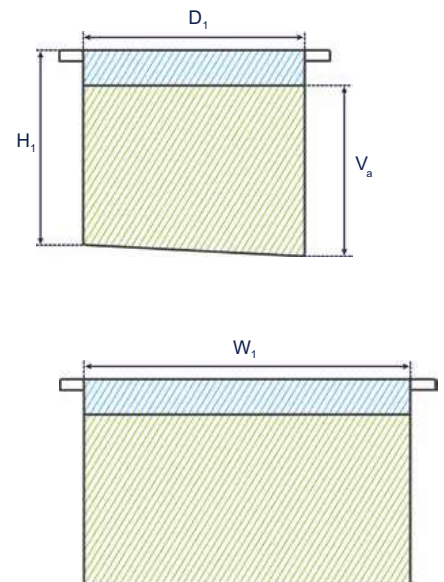
Elmasonic Med 500 / 900 with sound protection cover



Tank internal dimensions

Elmasonic Med 500 / 900

V_a : recommended operating capacity of the cleaning tank
(The actual operating capacity depends on the load.)



The drawings are merely included as a visualization aid and are not true to scale.

Technical specifications serve as orientation values and are subject to tolerances due to production and manufacturing. Proper operation can only be guaranteed when using original Elma accessories.