

CE

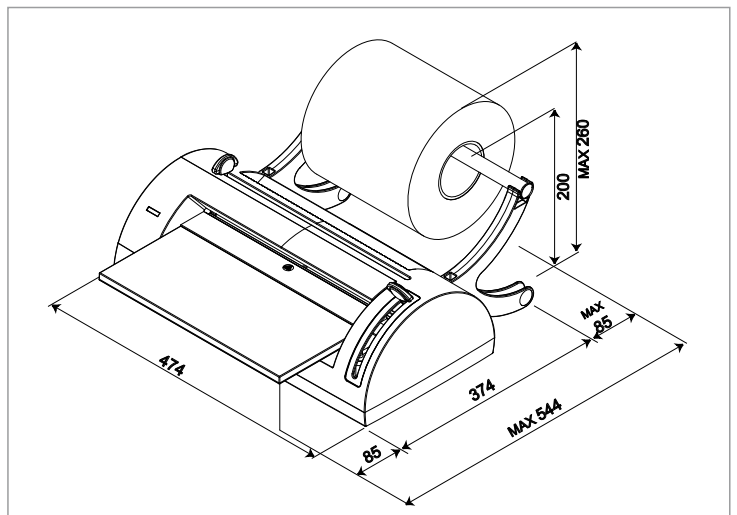


 03
SEALER
SL13

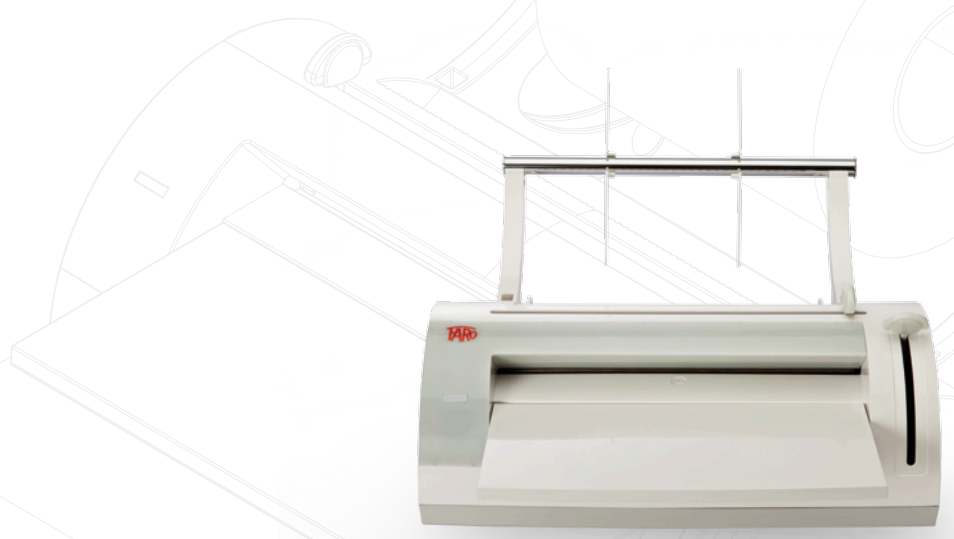
**Design, high performance,
cutting-edge technology.
The new thermo-sealer FARO SL13.**

SL13 is the thermo-sealing machine which fits as a natural complement to the range of steam sterilisers. It is an **elegantly, space-saving designed piece of equipment** that is both **user-friendly** and **reliability**, even with heavy use.

SL13 is therefore a useful option for all those users who require professional equipment with an **excellent ratio of quality to price and performance**.



SEALER SL13



GUARANTEED TO MAINTAIN STERILIZATION PERFORMANCE

SL13 is an **electronically controlled thermo-sealer** with a sealing band of 12 mm fit to resist the sterilization processes of the modern sterilizers featuring **fractioned pre-vacuum**, and to assure the sterility of the packages.

CONSTANT HIGH PERFORMANCE

Efficient heat control in the welding area is achieved thanks to the **automatic temperature adjustment**, ensuring high performances. SL13 also feature an overheating protection device and an automatic **energy-saving standby system**.

ERGONOMIC AND PRACTICAL DESIGN

The **solid structure** in plastic and aluminium and the **ergonomic and minimalist shape** help to maintain a high level of hygiene, weight and overall size and **excellent stability** during use. All this with the objective of offering a product suited to the daily needs in the medical area.



TECHNICAL FEATURES

GENERAL FEATURES	
Power supply voltage	220/240 Vac - 50/60 Hz
Nominal Power	150 W
External dimensions (without roll)	474 x 374 x 200 mm (LxDxH)
Net Weight	4 kg
Type of sealing	Continuous cycle and constant temperature
Nominal operating temperature of the heating resistance	180 °C
Max sealing length	12 mm
Maximum welding width	300 mm
Sealable material (in accordance to the Directive EN 868)	Paper /polypropylene film
Max diameter of the roll	200 mm

Application of the Directives: 2014/30/EC - 2014/35/EC - Reference Standards: EN 61010-1, EN 61326-1. 24-months guarantee.



SINCE 1948: EXPERIENCE AND INNOVATION

FARO S.p.A.

via Faro, 15 - 20876 Ornago (MB) - Italy Tel. +39 039.68781 - Fax +39 039.6010540
www.faro.it - export@faro.it

FARO FRANCE

Za Tgv Coriolis - 71210 Monchanin - France Tel. +33 385.779680 - Fax +33 385.779688
www.farofrance.com - farofrance@farofrance.com

FARO DEUTSCHLAND GMBH

Gewerbepark Heideckhof Heideckstr. 179 D-47805 Krefeld - Germany Tel. +49 2151.936921 - Fax +49 2151.936933
www.faro.it - info@farodeutschland.de

Certified Company



ISO 9001:2008 ISO 13485:2003

INFO LINE:

